



The sustainable
wastewater treatment
system that protects
your property

ECOFLO[®]



Ecoflo is how we make a sustainable difference. Together.

Areas of the UK are already beginning to stipulate stricter effluent standards for residential wastewater outflows.

Ecoflo is a simpler, cheaper and more ecologically friendly alternative to replacing your existing tank.

Ecoflo simply connects to your existing septic tank or sewage treatment plant and vastly improves the quality of the final effluent.

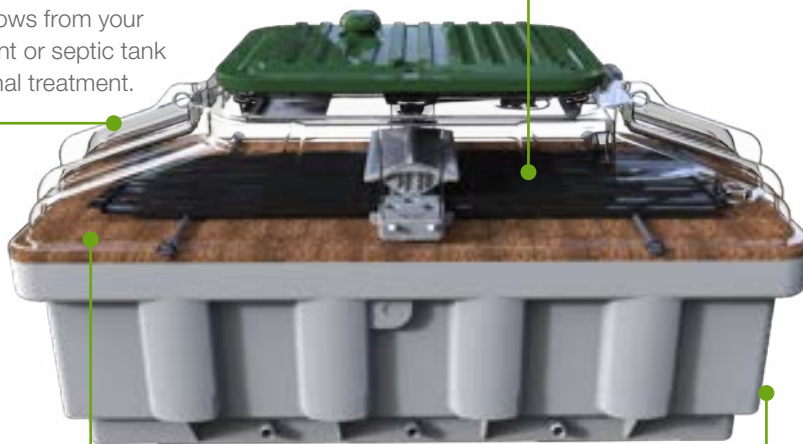
How does Ecoflo work?

1. Wastewater inflow

Wastewater effluent flows from your sewage treatment plant or septic tank into Ecoflo for additional treatment.

2. Non-mechanical tipping bucket

Inside Ecoflo, wastewater is scattered across perforated distribution plates before falling across the coconut filter.



3. Coco Filter

This filter is the heart of Ecoflo. It creates a physical treatment barrier that cleans the effluent to an even higher standard.

4. Final discharge

After percolating through the all-natural filter, water is then safely discharged into the environment.

THINKING OF INSTALLING A SEWAGE TREATMENT PLANT?

Adding Ecoflo will ensure you have an even cleaner effluent flow to preserve your garden/landscape. It will also provide greater protection to nearby watercourses, streams and rivers for future generations to enjoy.

WISE INVESTMENT

- Maintains property value
- No energy bills for wastewater treatment
- No need to install a new drainage field

INSTALLED FOR LIFE

- Simple plug and play design
- No need to remove your existing tank
- No full system replacements

PEACE OF MIND

- Be prepared for stricter regulations
- 24/7 autonomous operation
- Never clogs or contaminates your soil
- Replacement of coco filter every 10-15 years

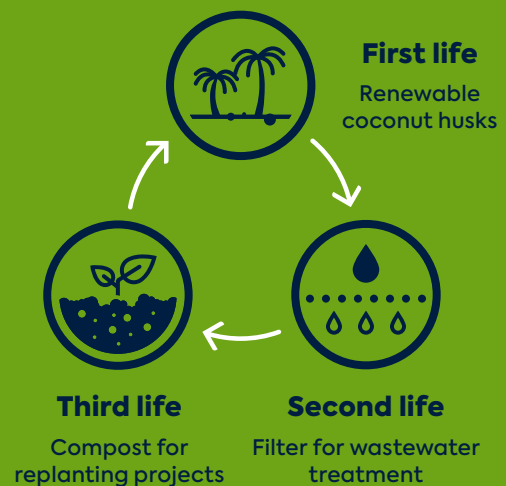
COMPACT AND DISCREET

- No space required for a percolation area
- Silent and odourless
- Blends into your landscape and garden

NATURAL, RENEWABLE, COMPOSTABLE FILTER

By transforming coconut husk fragments into a filtering media, we also give second life to a valuable resource and ensure that no part of the coconut tree's bounty is wasted.

Due to the nature of the coconut husk filtering media, the all-natural product we create is not only renewable, but fully compostable after its years of treating wastewater are over.



WARRANTY

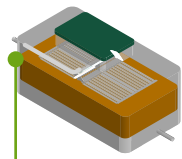
All Premier Tech polyethylene tanks come with a standard 10-year warranty. Individual product and part warranties are available upon request.

Premier Tech works closely with a nationwide network of installation professionals. We proudly provide these partners with installation guidelines for each of our products.

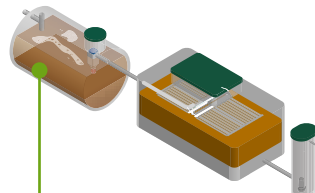
10
YEAR
WARRANTY

RANGE AND OPTIONS

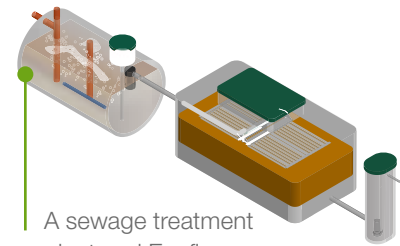
Ecoflo can be added to your septic tank as a secondary wastewater treatment system - for a population of 4-50 people, or to your sewage treatment plant as a tertiary wastewater treatment system - for a population of 16-200 people. Ecoflo can also be specified as part of a new treatment system. Example options include:



Stand-alone Ecoflo



A septic tank and Ecoflo (secondary treatment)



A sewage treatment plant and Ecoflo (tertiary treatment)

SEWAGE TREATMENT PLANT USERS

Help preserve our environment, connect Ecoflo to your existing sewage treatment plant for much improved final effluent quality and be prepared for stricter standards.

SEPTIC TANK USERS

Does your property have dated septic tanks with soakaways that discharge to surface water? Install Ecoflo and conform with the *2020 General Binding Rules* (GBRs for septic tanks or small sewage treatment plants for domestic use), without the hassle and expense of replacing your existing system or installing a new drainage field.



Making a difference for water and the environment

At Premier Tech, People and Technologies connect in lasting, transformative ways, giving life to products and services that help feed, protect, and improve our world.

Our team of experts constantly innovates, redefining what is possible through effective, efficient, and sustainable solutions. Driven by a shared passion, we are committed to protecting our resources for the future.



PT Water and Environment

2 Whitehouse Way,
South West Industrial Estate
Peterlee, Co Durham
SR8 2RA UNITED KINGDOM

+44 (0) 191 5878650
sales.ptwe.uk@premiertech.com
PT-WaterEnvironment.co.uk



The information contained in this document was current and consistent with the information available at the time of publication. Premier Tech Ltd. makes no warranties or representations as to its accuracy. Because of its continuous improvement policy, Premier Tech Ltd. and its affiliated companies reserve the right to change and/or discontinue the manufacture of any product and/or modify technical data and prices, for any reason whatsoever and at its sole discretion, without further notice and without liability to anyone in this regard.

© 2021 Premier Tech Ltd. All rights reserved.
Printed in United Kingdom

UK
20210603